



- Designed by beer-industry experts for performance and value.
- Front breathing for cooling and exhaust.



**MBB78-E**  
Black



**MBB78S-E**  
Stainless Steel



**MBB78G-E**  
Black with Glass Doors



**MBB78GS-E**  
Stainless Steel with Glass Doors



*Adjustable Digital Thermostat!  
Easy to read exterior mounted*



Listed by Edison Testing Laboratories.  
Conforms to UL & NSF Standards.

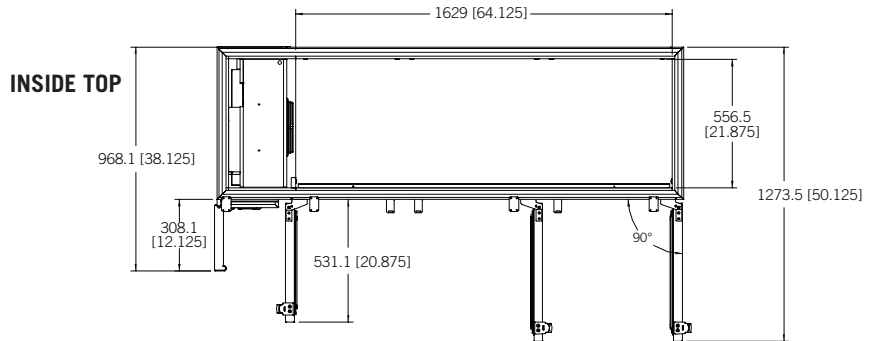
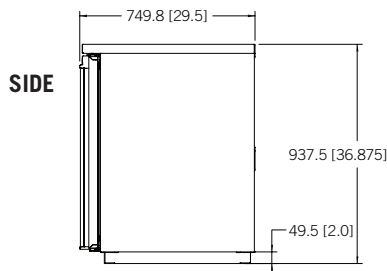
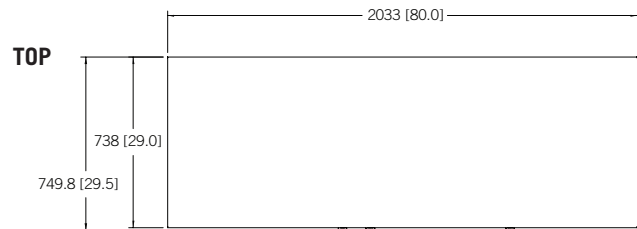
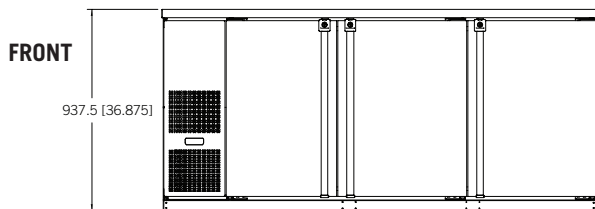
Part No.	Door Type	Door Type	Finish	Doors	Shipping Weight	
<input type="checkbox"/> MBB78-E	Solid	<input type="checkbox"/> MBB78G-E	Glass	Black	3	171 kg 377 lbs
<input type="checkbox"/> MBB78S-E	Solid	<input type="checkbox"/> MBB78GS-E	Glass	Stainless Steel	3	171 kg 377 lbs

**Operating Performance**

<b>Keg Capacity of 1/2 Kegs</b>	4	<b>Running Amps</b>	3.0
<b>Cubic Feet (liters)</b>	30.8 (872)	<b>Voltage</b>	115/60/1
<b>Shelves, Flat - Included</b>	2	<b>Plug Type</b>	NEMA-5-15P
<b>Shelves, Dividers - Included</b>	4	<b>Cord Length</b>	8'
<b>Cans 12 oz (355ml)</b>	1092	<b>Refrigerant</b>	R290
<b>Approval</b>	ETL Listed	<b>Charge oz</b>	4.9
<b>Compressor HP</b>	1/3	<b>Working High/Low Pressure</b>	300 psig / 150 psig

<b>Exterior</b>	All Models: 18 gauge 201 grade stainless steel (s/s) top, 22 gauge solid doors, 24 gauge steel front, sides and back. Black Models: Front, sides, back and doors black vinyl over steel. S/S Models: Front, sides, back and doors are s/s.
<b>Interior</b>	20 gauge stainless steel floor and walls, rugged false floor, reinforced frame
<b>Ventilation</b>	Front breathing for cooling and exhaust
<b>Plumbing</b>	Automatic condensate evaporator, no drain connection required. Evaporator condensate has been plumbed to a condensate pan located in the compressor housing
<b>Insulation</b>	Foamed-in-place using high density, CFC-free polyurethane; 2" top, walls and floor
<b>Accessories</b>	Casters or 6" fixed legs (order separately)

**Dimensions**



  
Toll-Free: 1-866-327-4159  
[www.micromatic.com](http://www.micromatic.com)

**West**  
19791 Bahama St.  
Northridge, CA 91324  
Tel. (818) 701-9765  
Fax. (818) 701-9844

**Central**  
10726 North Second St.  
Machesney Park, IL 61115  
Tel. (815) 968-7557  
Fax. (815) 968-0363

**Southeast**  
2386 Simon Ct.  
Brooksville, FL 34604  
Tel. (352) 799-6331  
Fax. (352) 796-2429

**Northeast**  
4601 Saucon Creek Rd.  
Center Valley, PA 18034  
Tel. (610) 625-4464  
Fax. (610) 625-4466